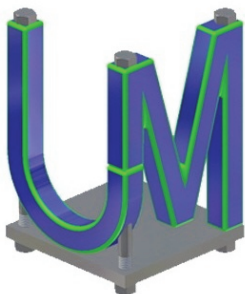
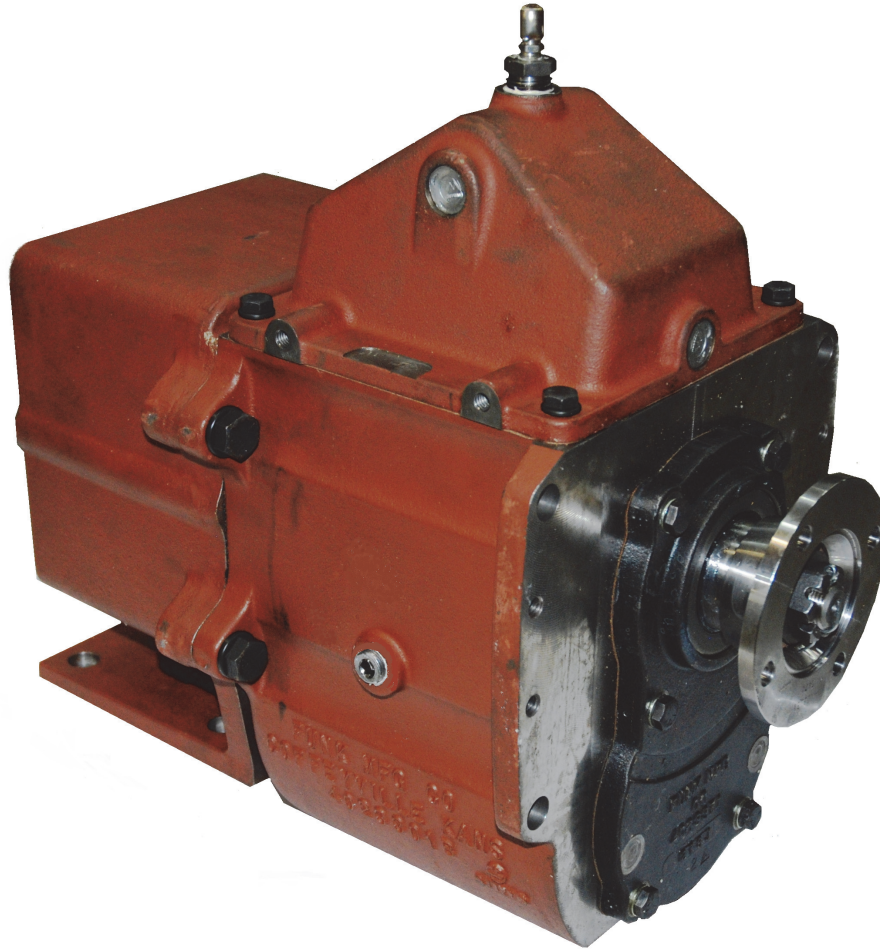
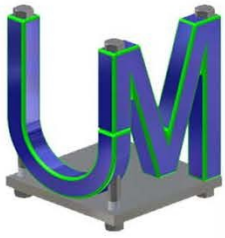


# TRANSMISSION FUNK



180 Des distributeurs  
Val-d'Or, Québec  
Canada J9P-6Y1  
Tel : (819) 824-3977  
Fax : (819) 824-1077  
Email : [info@umvd.ca](mailto:info@umvd.ca)  
Web : [www.umvd.ca](http://www.umvd.ca)

## HMD-2355

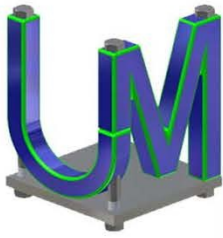


180 Des distributeurs  
 Val-d'Or, Québec  
 Canada J9P-6Y1  
 Tel : (819) 824-3977  
 Fax : (819) 824-1077  
 Email : info@umvd.ca  
 Web : www.umvd.ca

# USINAGE MARCOTTE INC.

## TRANSMISSION FUNK HMD-2355

REFERENCE NO.	SRV IND	COMPONENT ITEM	SL DESCRIPTION	Quantity
0000	N	YZ4023870	TAG GROUP WARNING TAG GROUP **N/A ALL HMD TRANSMISSIONS	1
0000-1	Y	4028947	TAG, WARNING	1
0000-3	Y	YZ4023869	TAG WARNING	1
1	N	YZ4023882	ASM CASE & GEAR TRANS 4 SPD W/4023381 FLG **ASM PER 4050331 DWG;N/A 4023812 SEL	1
1-1	N	4HMD143	ASM CASE **ASM PER 4023751 DWG **SERVICE W/YZ4023918	1
1-1-1	Y	4023301B	HSG TRANS	1
1-1-2	Y	F202002	MAG PLUG-REC HEAD	1
1-1-3	Y	F190036	PLUG, 3/8 PIPE	1
1-1-4	Y	F22010A	PLUG, EXPANSION	2
1-2	Y	F40207R	BEARING	1
1-3	Y	4023543	CNTR.-SHF. 14T	1
1-4	Y	F41211R	BEARING	1
1-5	Y	4023314	GEAR CNTRSHF	1
1-6	Y	4023308	GEAR CNTRSHF 3RD	1
1-7	Y	F39010162	SNAP RING	1
1-8	Y	4023307	GEAR, CNTR SHF DR	1
1-9	Y	YZ4023878	SHAFT, MAIN	1
1-10	Y	YZ4023879	GEAR, MAIN SHAFT	1
1-11	Y	YZ4023880	GEAR, MAIN SHAFT	1
1-12	Y	F56720	ROLLER	39
1-13	Y	4023355	GR OUT	1
1-14	Y	4023834	WA LOW GR ## REPL 4023356 FOR PROD&SERV; ECN 45493	1
1-15	Y	F40308R	BEARING	1
1-16	Y	4023371	CVR REAR	1
1-17	Y	F65024	OIL SEAL	1
1-18	Y	4023372	GSKT REAR CVR	1
1-19	Y	F18003	WASHER	6
1-20	Y	19H218	SCREW, JDS 19 HEX HD CAP SCREW, CAP	6
1-21	Y	4023381	FLG BRK 1350/1410	1
1-22	Y	4023488	GASKET FLG	1
1-23	Y	4000326	FLAT WASHER	1
1-24	Y	F37020118	O RING ARP118	1
1-25	Y	F7532014	NUT	1
1-26	Y	F2600724	PIN, COTTER	1
1-28	Y	4023481	GSKT	1
2	Y	4023824	SHIFT CAP ASM ** REPL 4023402A&4023402B FOR PROD&SERV ** REPL PER ECN 36683 ** ASM PER YZ4023930 DWG B/M	1

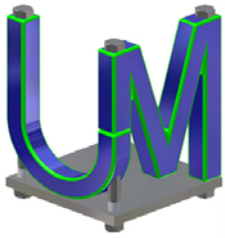


180 Des distributeurs  
 Val-d'Or, Québec  
 Canada J9P-6Y1  
 Tel : (819) 824-3977  
 Fax : (819) 824-1077  
 Email : info@umvd.ca  
 Web : www.umvd.ca

# USINAGE MARCOTTE INC.

## TRANSMISSION FUNK HMD-2355

2-1	Y	4023406	CAP	1
2-2	Y	F65022	OIL SEAL	1
2-3	Y	4023456	LVR., INSIDE	1
2-4	Y	4023461	PIN LVR	2
2-5	F	F2518716	PIN, ROLL	2
			Service Substitute: 34H282	Quantity:
			If serviced at PDC	
2-6	Y	4023463	ASM SHF LVR	1
2-7	Y	Y24023875	PIN, CLEVIS	1
2-7-1	Y	F2400345	PIN, CLEVIS	1
			#*REPLACED BY YZ4023875 EFF PER ECN	
			#*930826	
2-8	Y	4023424	ASM FORK	2
			##DRAWING	
2-8-1	F	4023434	FORK SHFTER	1
			Service with 4023424 assembly.	
			Service Substitute: 4023424	Quantity:
2-8-2	N	4023441	PLATE FORK	1
			Service at assembly.	
			Service at Assembly	
2-8-4	F	4023575	PLT INHIBITOR 4SPD	1
			Service Substitute: 4023424	Quantity:
2-9	Y	YZ4023877	SPR, SHIFT DETENT	2
2-10	Y	F7400012D	BALL, STEEL	2
2-11	Y	4023413	RAIL SHIFT 4 SPD	1
2-12	Y	4023451	PIN, INHIBITOR	1
2-13	F	F3901337	SNAP RING	2
			Service Substitute: H80661	Quantity:
			If serviced at PDC	
2-14	F	F2525022	PIN, ROLL	2
			Service Substitute: 34H315	Quantity:
			If serviced at PDC	
2-15	Y	F22010A	PLUG, EXPANSION	3
2-16	Y	YZ4023886	ASM LEVER	1
2-16-2	N	40234722	BASE	1
			Service at assemble (weldment)	
			Service at assemble	
2-16-3	N	4023637	PLATE GUIDE	1
			Service at assembly (weldment)	
			Service at assembly	
2-16-4	Y	F83000	KNOB	1
2-17	F	F260058	PIN, COTTER	1
			Service Substitute: 11M7079	Quantity:
			If serviced at PDC	
2-18	Y	F1003540	CAPSCREW	1
2-19	Y	F827616FA	TOP LOCK NUT	1
2-20	Y	F321004	BUSHING, REDUCER	1
2-21	Y	F68203	BREATHER, 7/16 PSI	1
2-22	Y	19H218	SCREW, JDS 19 HEX HD CAP	4
			SCREW, CAP	
2-23	F	F16202	LOCKWASHER	4
			Service Substitute: 12H304	Quantity:
			If serviced at PDC	
3	N	4023208	ADAPTER GROUP	1
			#*ASM PER 4023743 DRAWING B/M	
			SERV W/YZ4023928	
3-0	Y	4023743	DRAWING, INSTL.	1
3-1	Y	4HPD7105	ADAP HYD MOTOR	1



180 Des distributeurs  
 Val-d'Or, Québec  
 Canada J9P-6Y1  
 Tel : (819) 824-3977  
 Fax : (819) 824-1077  
 Email : info@umvd.ca  
 Web : www.umvd.ca

# USINAGE MARCOTTE INC.

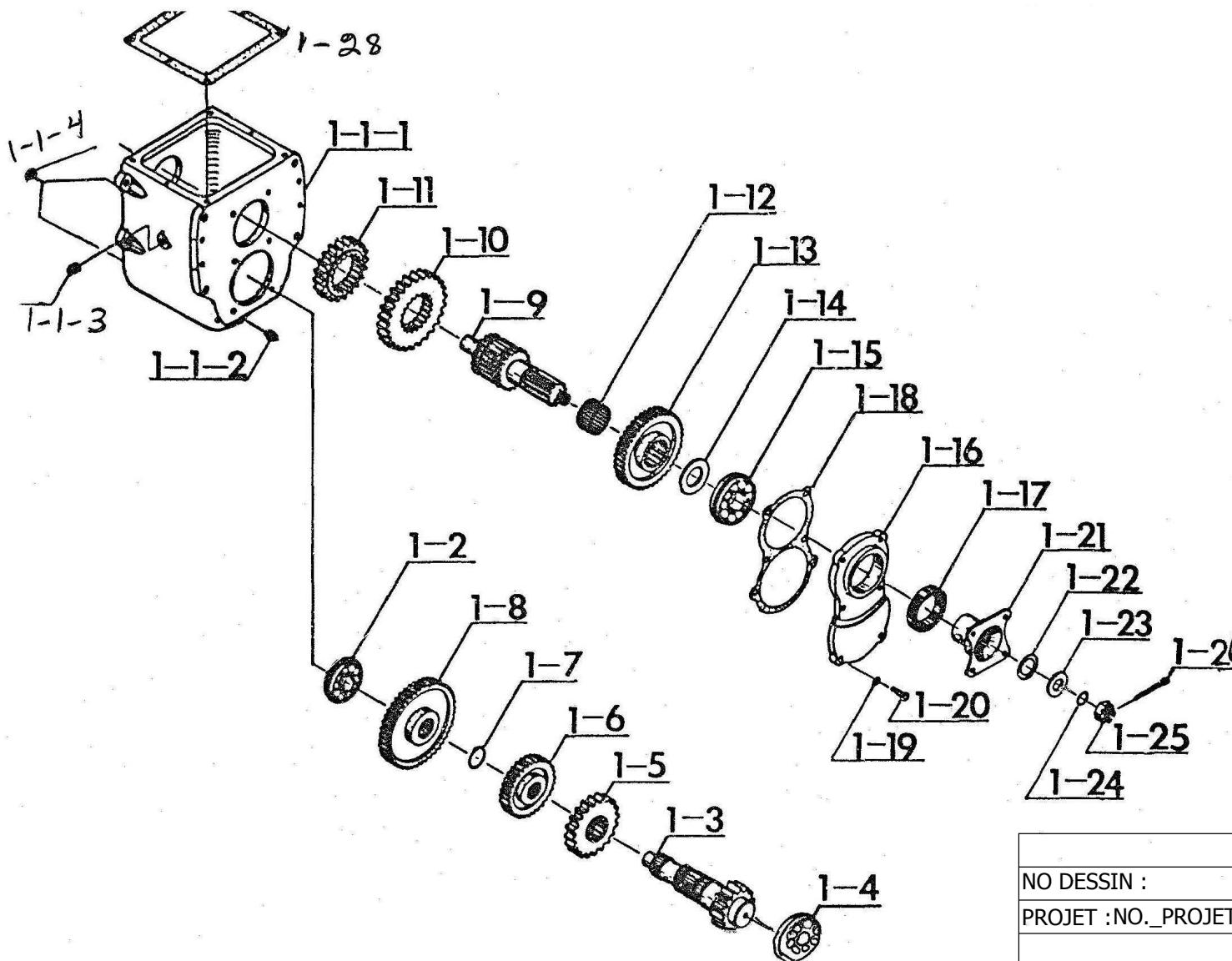
REPORT ID: ZCSVR\_BOM\_EXPLOSION\_SERVICE  
 SYSTEM ID: PDX-410  
 USER: YZ01315


DEERE & COMPANY  
 MULTI-LEVEL REFERENCE BILL OF MATERIAL

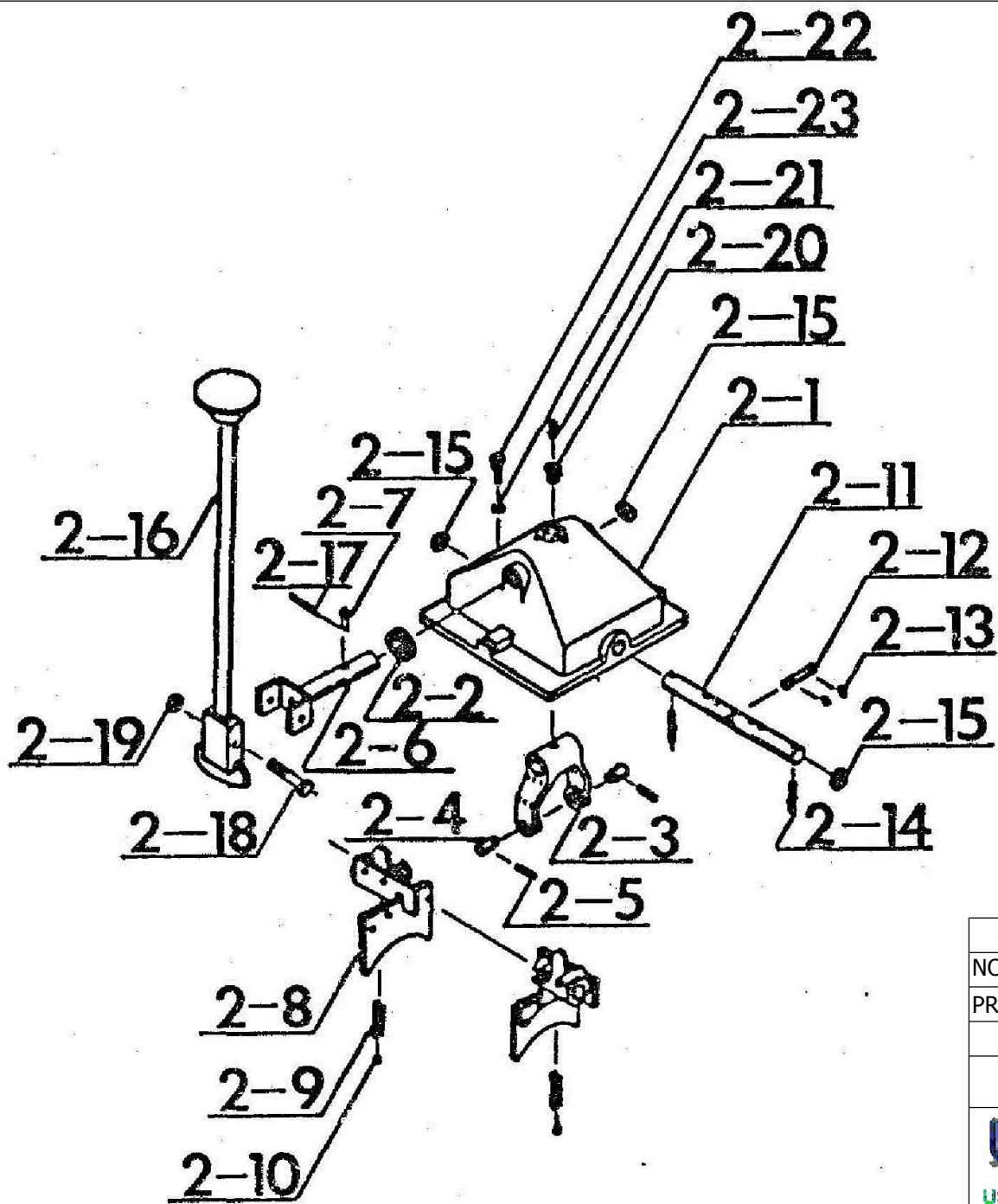
Effective Date: 08/03/2006


3-2	Y	4023709	GEARSHAFT INP 21T	1
3-3	Y	F41210RH	BEARING	1
3-4	F	F39010196	SNAP RING	1
			Service Substitute: N71922	Quantity:
			If serviced at PDC	
3-5	Y	F5102220	BEARING	1
3-7	F	F1006024	CAPSCREW	5
			Service Substitute: 19H2355	Quantity:
			If serviced at PDC	
3-8	Y	F16205	LOCKWASHER	5
3-9	Y	4HPD7107	X GASKET, FRONT	1
			SAE "D"	
3-10	Y	40281007	PLATE, I.D. GROUP	1
			**ASM PER APPLICABLE MODEL DWG	
3-10-1	N	YZ250375	PLATE IDENTIFICATION	1
			Replaces Text YZ250086	
3-10-2	Y	F310063	SCREW, DRIVE	2
4	N	4HMD147	ASM COUPLING	1
			13T 8/16P SPLINE	
			** ASM PER YZ4023907	
4-1	Y	4017097	SLEEVE, ADAPTER	1
4-2	Y	F39000150	SNAP RING	1
201	Y	F23309	PLUG, SHIPPING	1
			SAE 'D', 6" DIA PLASTIC COVER	

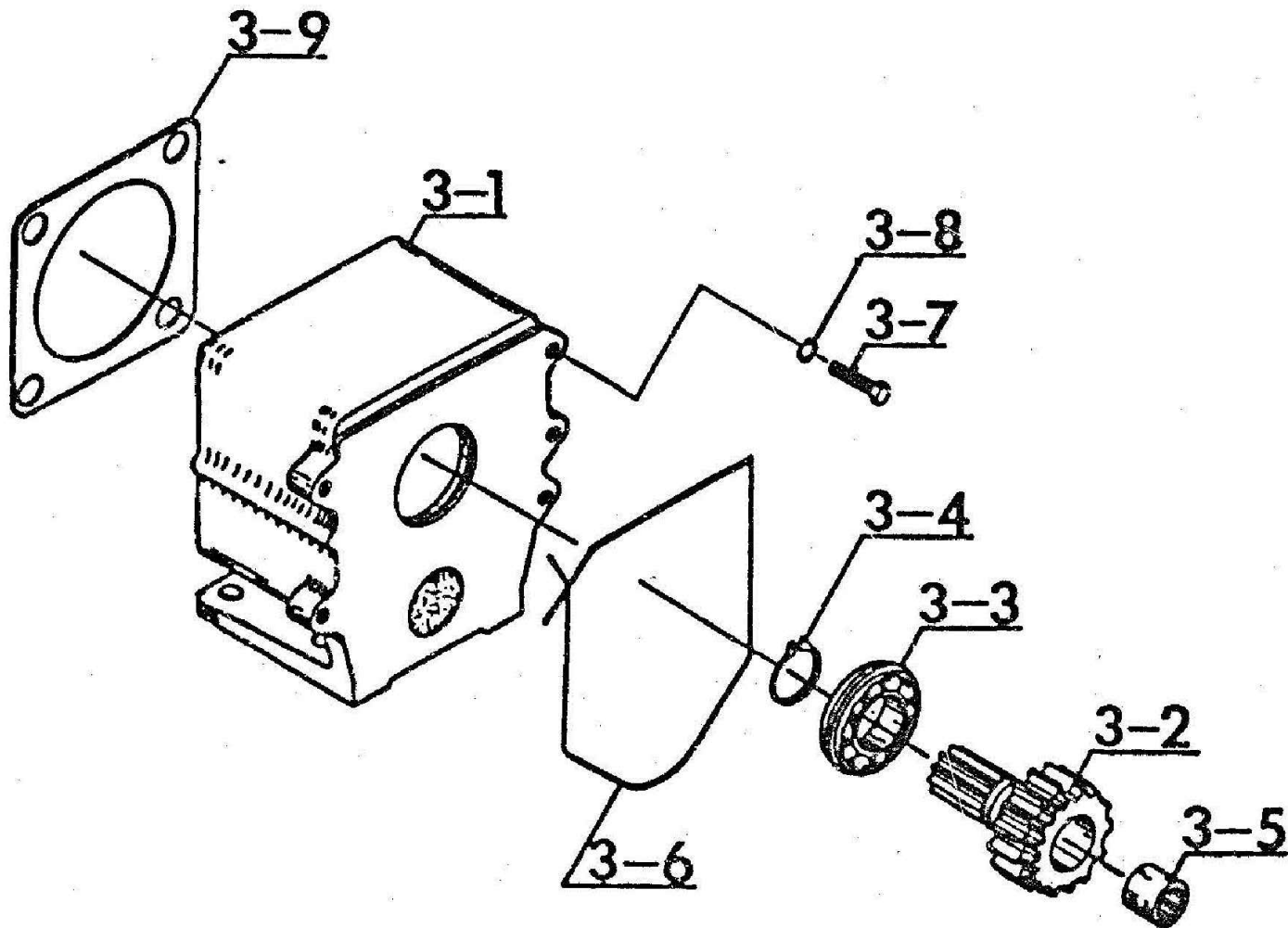





		#JOB:	
		VER :	
NO DESSIN :		DES PAR :	
PROJET :NO._PROJET:		ECH : NTS	DATE :
TITRE			
<b>CASE AND GEAR ASSEMBLY GROUP 1</b>			
		<small>1875 Rue Industrielle Val d'Or, Québec G9A 6K3 Tél. (418) 824-1077 Fax (418) 824-1078 E-mail : info@marcotte.ca Web : www.marco.ca</small>	
<b>USINAGE MARCOTTE INC.</b>		PAGE :	
<small>CARTOUCHE RÉVISÉ 05 MAI 2009</small>			

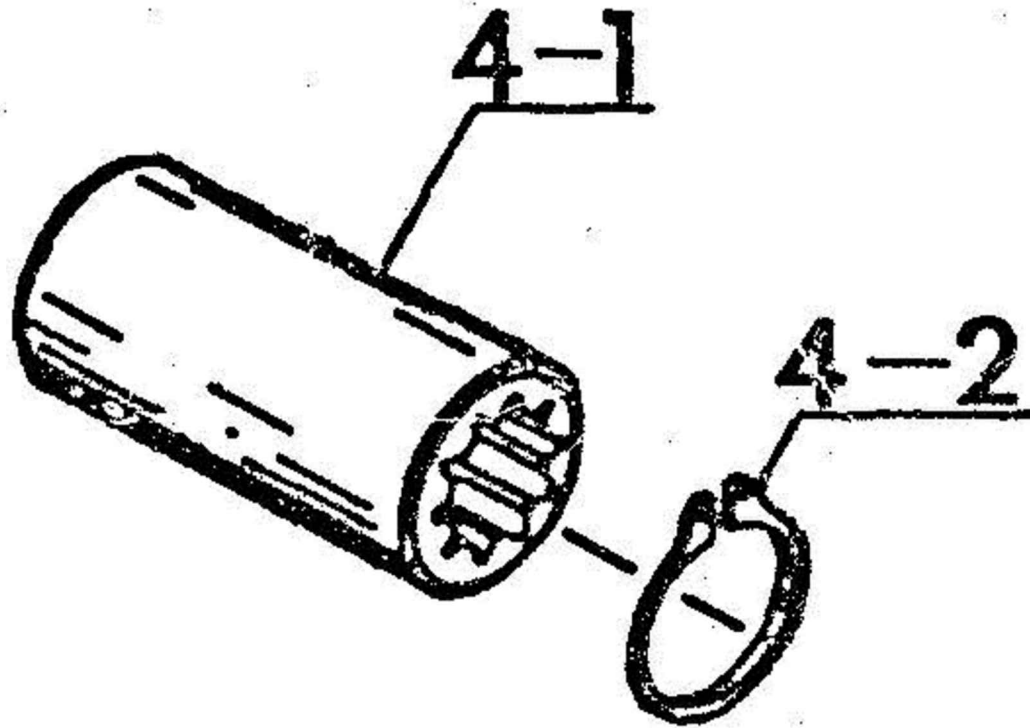



		#JOB:	
		VER :	
NO DESSIN :		DES PAR :	
PROJET :NO._PROJET:		ECH : NTS	DATE :
TITRE			
<b>4023824 SHIFT CAP ASSEMBLY GROUP 2</b>			
 <b>USINAGE MARCOTTE INC.</b>		<small>1900 Ste. Elisabeth          St-Jovite, Québec          G3A 1S1 (42° 42' 30" N          71° 11' 00" W) 514-777-          2200 / 514-777-2200          Web : www.usinage.ca</small>	
		PAGE	



		#JOB:	
		VER :	
NO DESSIN :		DES PAR :	
PROJET :NO._PROJET:		ECH : NTS	DATE :
TITRE			
<b>4023208 ADAPTER GROUP - GROUP 3</b>			
 <b>USINAGE MARCOTTE INC.</b>		<small>1800 288-8288        501 St-Jacques        10000 St-Jacques        St-Jacques, Qc H3S 1K7        Tél: (514) 634-1077        Tél: (514) 634-1077        Fax: (514) 634-1077        Web: www.usinage.ca</small>	
		<b>PAGE :1</b> <small>CARTOUCHE RÉVISÉ 05 MAI 2009</small>	





		#JOB:	
		VER :	
NO DESSIN :		DES PAR :	
PROJET :NO._PROJET:		ECH : NTS	DATE :
TITRE			
<b>4HMD147 COUPLING ASSEMBLY GROUP 4</b>			
		<small>1800 288-8282          514 271-1200          514 271-1201          Fax: 514 271-1202          Email: info@lmc.ca          Web: www.lmc.ca</small>	
<b>USINAGE MARCOTTE INC.</b>		PAGE :	
<small>CARTOUCHE RÉVISÉ 05 MAI 2009</small>			