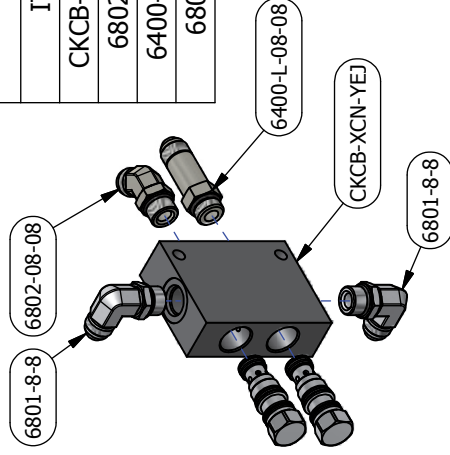


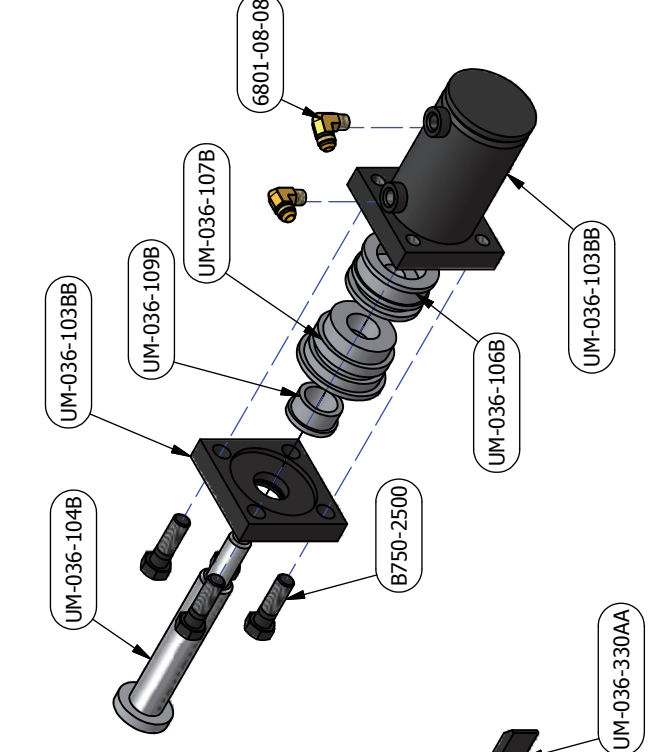
LISTE DE PIÈCE		
ITEM	NOM/NAME	QTE
CKCB-XCN-YEJ	LOCK VALVE	1
6802-08-08	MJIC 08 x MORB 08, 45 DEGREES	1
6400-L-08-08	L-MJIC 08 x MORB 08	1
6801-8-8	MJIC x MORB 90 DEG.	2

COMPLETE ASSEMBLY: UM-036-126BB

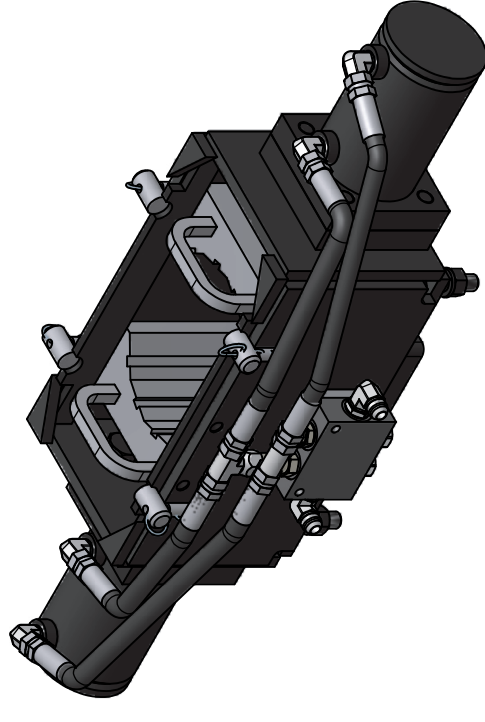
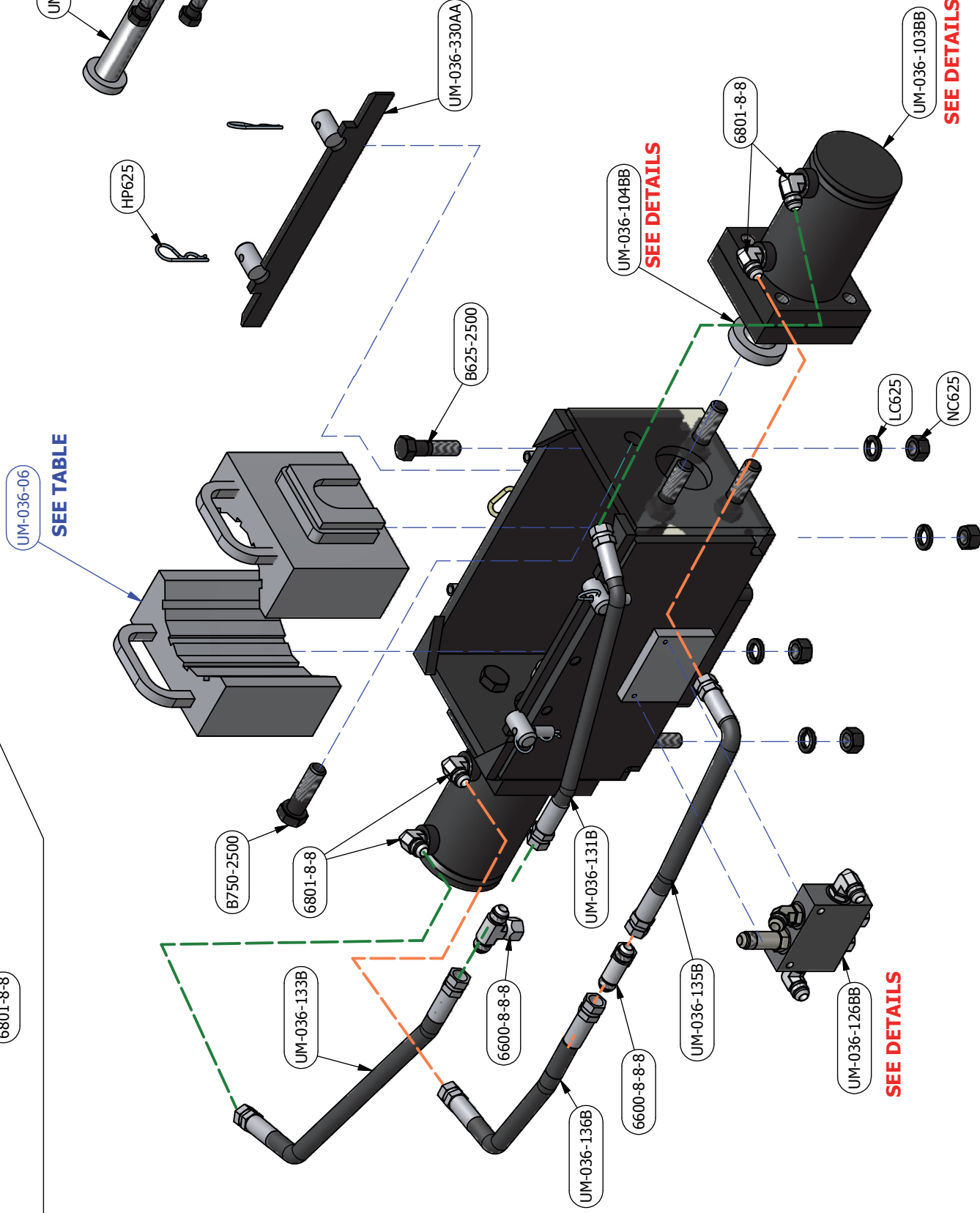


LISTE DE PIÈCE		
ITEM	NOM/NAME	QTE
UM-036-103BB	CYLINDER ASSEMBLY	2
UM-036-104B	ROD	1
UM-036-106B	PISTON	1
UM-036-107B	HEAD	1
UM-036-109B	GUIDE BUSHING	1
B750-2500	BOLT 3/45 x 2 1/2" LG	8
6801-08-08	MJIC 08 x MORB 08	4

**COMPLETE CYLINDER ASSEMBLY (WITH ALL) UM-036-103BB
PACKING KIT: UM-2002KP7240**



UM-036-06
SEE TABLE



**COMPLETE FOOT CLAMP
ASSEMBLY: UM-036-100AA**

TABLE	
JAW NO.	SIZE
UM-036-05	A to H
UM-036-06	H to PW
UM-036-149B	B
UM-036-150B	N
UM-036-151B	H
UM-036-152B	P

DESIGNED BY:	CHECK BY:
# DRAFT:UM-036-100AAA(BARRURE MOD)	DRAFT BY: MARIE S. GIGNAC
# PROJECT:	SCALE: N.T.S.
	DATE: 2012-06-18
TITLE	
FOOT CLAMP UM	
 <small>180 Des distributions 1000 Deschênes C. P. 1000 Tel: (514) 824-3977 Fax: (514) 824-1077 E-mail: info@usinage.com Web: www.usinage.ca</small>	
PAGE: 11-1	